



HEAVY DUTY WIRE ROPE HOIST



- ▶ Heavy duty class IV robust design
Smooth operation even in toughest of application.
- ▶ Manufactured in ISO 9001:2000 certified company
Assured quality and interchangeability of parts.
- ▶ Truly modular constructor
Easily accessible separate brake, motor, drum, gear box & panel unit.
- ▶ Seamless pipe accurately machined rope drum
Long life
- ▶ Unique and sturdy rope guide arrangement
Prevents rope slackening and easy change of rope
- ▶ Precision machine cut case-hardened alloy steel gears
Noiseless operation longlife
- ▶ Fail safe disc brake
Trouble free operation and ease of adjustment
- ▶ Built in control panel with std. electricals
Ready to use.



ALSO AVAILABLE
Higher lift, flame proof
and special
application
hoists

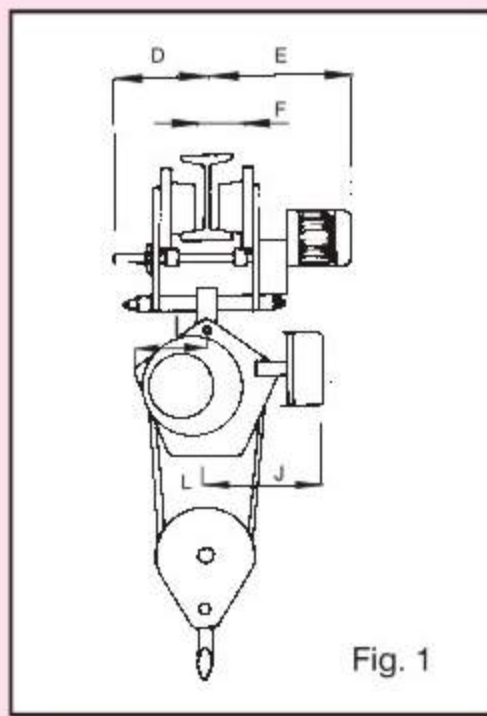


Fig. 1

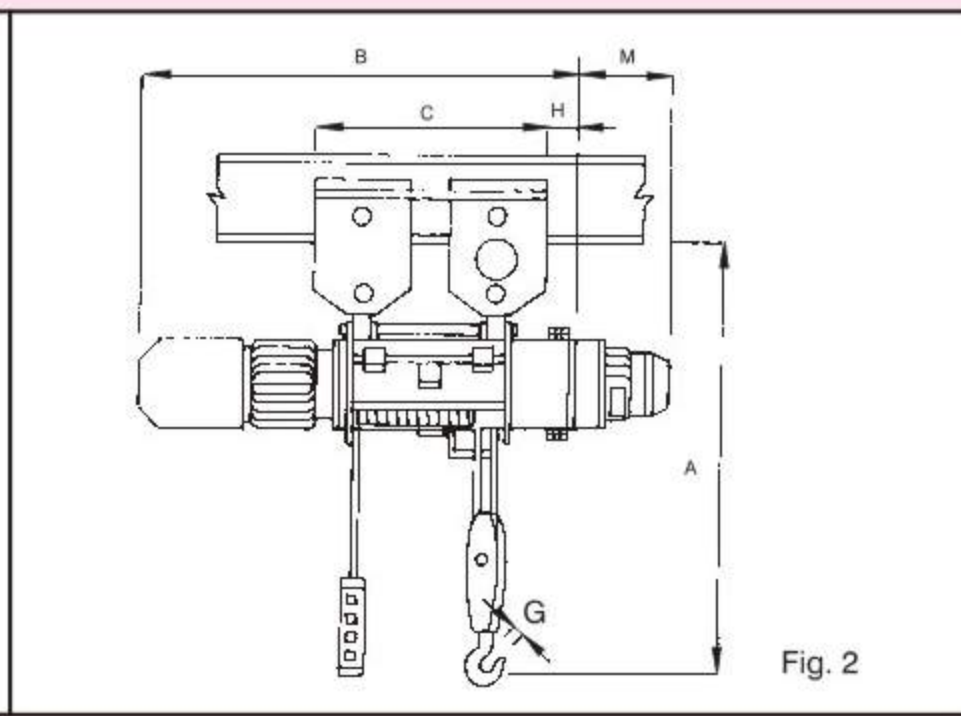


Fig. 2

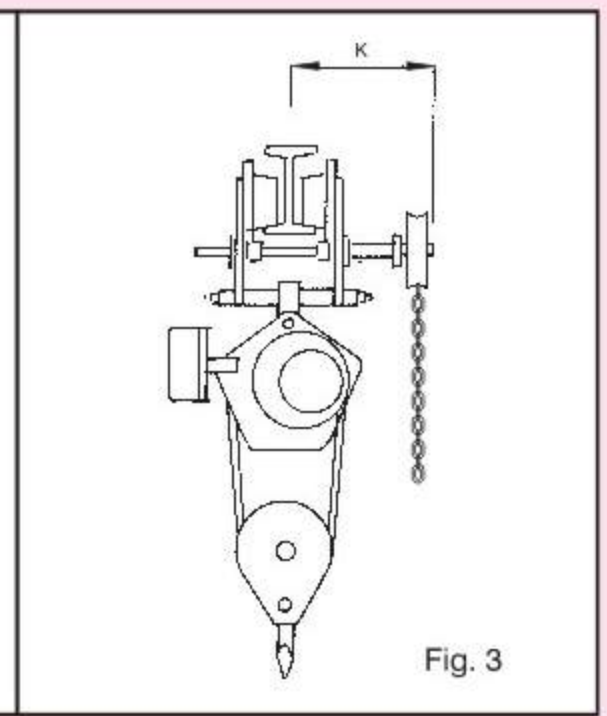
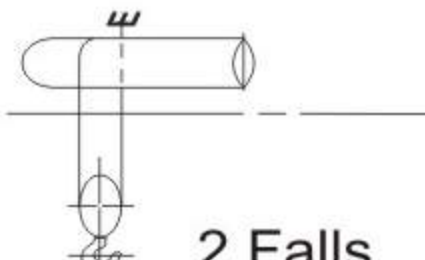
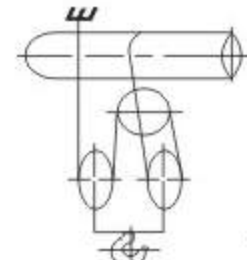
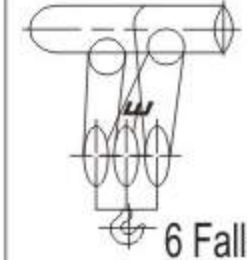


Fig. 3

Specifications/Dimensions (mm)

Type	WRH I			WRH II			WRH III			WRH I			WRH II			WRH III			WRH III *	
Model	NP101			NP 201			NP301			NP102			NP202			NP302			NP303	
Class	IV			IV	II		IV			IV			IV	II		IV			IV	II
S.W.L. (Tonne)	1.0			2.0	2.5		3.0			2.0			4.0	5.0		6.0			7.5	10.0
Lift (Mtrs.)	6	12	20	6.6	11.4	19.2	6.8	11.8	20	3	6	10	3.3	5.7	9.6	3.4	5.9	10	4	6
Approx. Wt. (Kg.)	264	286	322	386	414	459	533	546	568	296	318	354	478	497	563	638	818	828	900	1000
Dim. B	1075	1285	1555	1170	1340	1610	1255	1425	1695	1075	1285	1555	1170	1340	1610	1255	1425	1695	1425	1695
Dim. C	552	752	1022	588	758	1028	635	805	1075	552	752	1022	635	805	1075	635	805	1075	1050	1295
Hoisting Speed m/min	9			8			8			4.5			4			4			2.66	
Hoisting Motor H.P. (K.W.)	3 (2.2)			5 (3.7)			7.5 (5.5)			3 (2.2)			5 (3.7)			7.5 (5.5)			7.5 (5.5)	
Travelling Speed ♦ m/min	17			17			17			17			17			17			17	
Travelling Motor H.P. (K.W.)	0.25 (0.18)			0.25 (0.18)			0.5 (0.37)			0.25 (0.18)			0.5 (0.37)			0.75 (0.55)			0.75 (0.55) (2 nos.)	
Min. Height of 'I' beam (mm) ■	175			175			250			175			250			250			300	
F Min. - Max.	90 - 180			90 - 180			125 - 210			90 - 180			125 - 210			125 - 210			**	
A Headroom	1170			1370			1480			1110			1345			1460			1825	
D Min. - Max. ●	151 - 196			151 - 196			163 - 178			151 - 196			163 - 178			163 - 178			452 - 487	
E Min. - Max.	399 - 444			399 - 444			412 - 457			399 - 444			412 - 457			412 - 457			452 - 487	
G	31			37 - 42			42			37			51			67			89	
H	130			143			140			130			120			140			371	
I	230			290			330			320			405			480			371	
J	270			315			365			305			350			395			625	
K				305									305						495	
M +				380									380						380	
No. of falls construction	 <p style="text-align: center;">2 Falls</p>									 <p style="text-align: center;">4 Falls</p>									 <p style="text-align: center;">6 Falls</p>	

Data tolerance $\pm 10\%$ All dimensions in mm.

NOTE :

♦ Higher travelling speed of 26 m/min. can be offered at extra cost upto 6T models only.

● For 7.5T / 10T dimension D=E

Add 125 mm if CT with brake (Brake is at extra cost.) in dimension 'E'

+Applicable for creep speed model only.

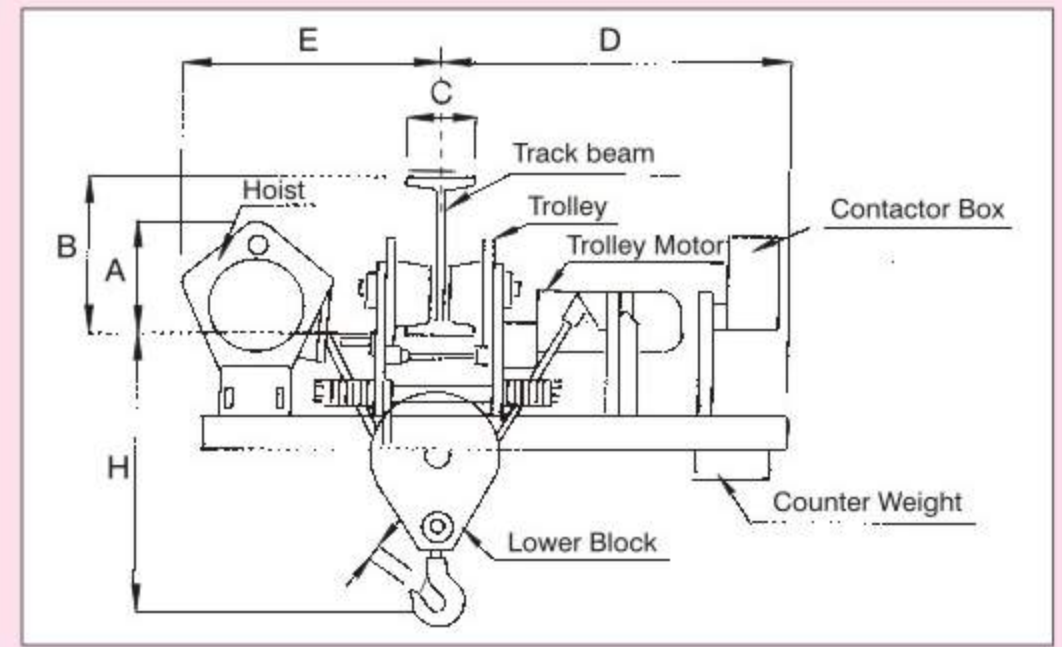
For monorails stiffened width plates, please check up for operating clearance in trolley.

■ Check 'I' Beam mounting arrangements, trolley plates will project 10 mm above 'I' beam.

* 1:10 creep model is not possible in NP 303

Short Headroom Hoist

This model is suitable in cases where ceiling height is low and highest possible lift is required. Illustration on side is with electric trolley. However, geared trolley also can be supplied. For details of speeds and H.P., please refer table on page 2.

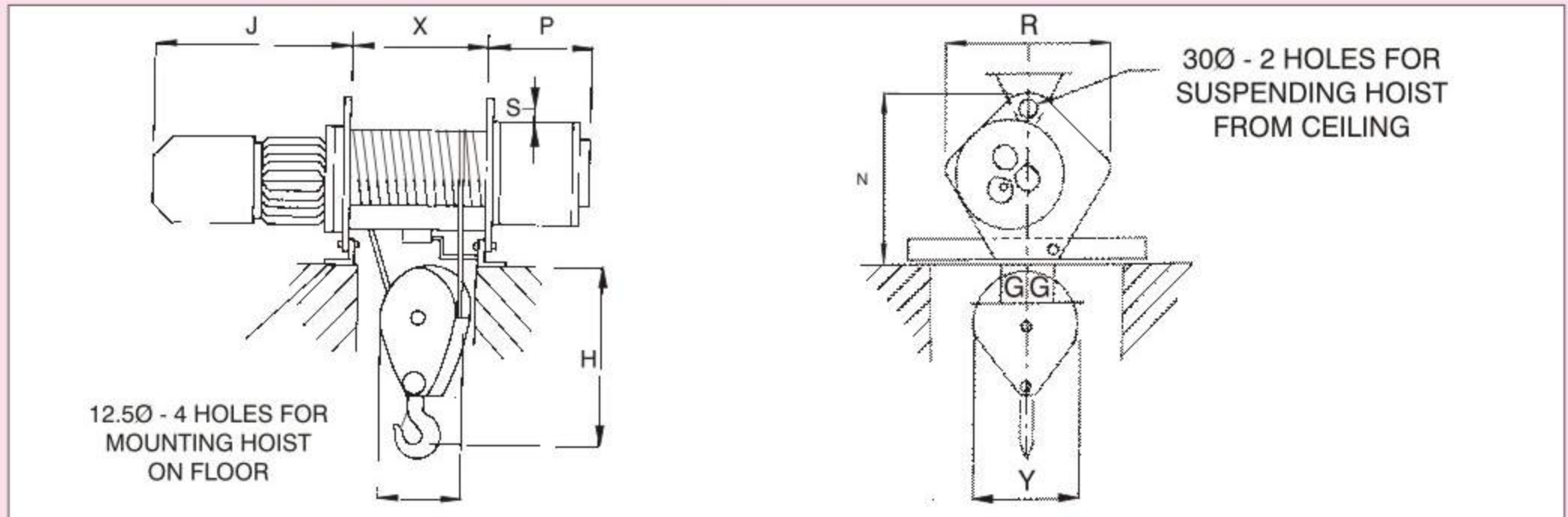


Model - WRH I / WRH II / WRH III

Model	Capacity	A (Max.)	B (Min.)	C		D	E	H
				(Max.)	(Min.)			
WRH I	1T	260	300	90	180	650	550	600
	2T	260	300	90	180	650	600	650
WRH II	2T	300	350	125	210	1060	850	700
	4T/5T	300	350	125	210	1060	850	800
WRH III	3T	350	400	125	210	1250	900	750
	6T	350	400	125	210	1250	900	900

Note : 'D' & 'E' dimensions are for max. flange of 210 mm. If flange width is more than 210 mm or non standard beam are used then dimensions 'D' & 'E' will increase. Dimension 'H' will increase by 150 mm if boggie trolley is used.

Fixed Mounting Type



This type of hoist can be mounted on floor or to the ceiling. It can also be mounted as crab of the crane or to the top floor ceiling for lifting of goods in multi-storeyed factories.

Illustration above is to give general idea only.

Supporting/suspending system dimensions to be decided by the customer considering load and supporting span.

Type	Capacity (t)	Lift (M)	H (mm)	X (mm)	N (mm)	P (mm)	S (mm)	Y (mm)	R (mm)	G (mm)
WRH	1	6/12/20	740	343/543/813	505	215	25	255	310	55
	2	3/6/10	675							
WRH II	2/2.5	6.6/11.4/19.2	855	379/549/819	530	232	46	310	400	77.5
	4/5	3.3/5.7/9.6	755							
WRH III	3	6.8/11.8/20	870	379/549/819	585	250	44	375	490	90
	6	3.4/5.9/10	865							
	7.5/10	4/6	1275							

ALSO AVAILABLE

- ▶ Compact hoists
- ▶ Fat drum wire rope hoist
- ▶ Class-II, Medium duty standard hoists.
- ▶ Model - Indef - HCCapacity - 50 kg to 5 tons
- ▶ Model - Compact wire rope hoist.....Capacity - 1 to 30 tons
- ▶ Model - EH II (Baby)Capacity - 0.5, 1 to 2 tons
- ▶ Model - Inedf - PCapacity - 0.5 to 50 tons
- ▶ Model - Indef - MCapacity - 0.5 to 20 tons
- ▶ Model - Lever HoistCapacity - 250 kg to 6 tons
- ▶ Model - CH III/ CH IVCapacity - 2.5 to 20 tons
- ▶ Model - UltraShort Headroom C. P. B.Capacity - 1.0 to 15 tons
- ▶ Tandon operation hoists
- ▶ Hoist with radio remote control
- ▶ VVF drive and PLC control

CODE NO 41 : DO : 1706/LIT/HIGHER LIFT - WRH-/12-2010



Manufactured & Marketed by :
HERCULES HOISTS LTD.
 CTS No. 43/5, Village Dhamni, Taluka Khalapur,
 Khopoli, Dist. Raigad, Maharashtra-410 202. India
 Tel. : + 91 (0) 2192-274036/274087/274135
 Fax : + 91 (0) 2192-274325
 E-mail : enquire@indef.com
 Website : <http://www.indef.com>

Dealers name & address

